

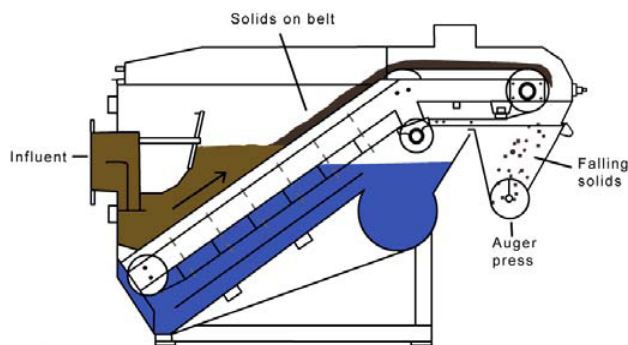
AUTOMATED FILTRATION SYSTEM (AFS)

The AFS can relieve primary treatment burden at wastewater treatment plants, and where solids are in issue in a very small footprint, saving major infrastructure investment and space.

The AFS has a fine screen which removes solids as fine as 15-30 micron. It removes high percentages of TSS and particulate BOD in wastewater. For most municipal applications, this means removal of 40-70% TSS and 30% BOD, for industrial wastewater it can mean the difference in big capitol costs



When compared with sedimentation as primary sewage treatment, the AFS typically requires less than 50% of the capital investment and less than 10% of the footprint.



How it Works:

Using a continuous-loop fine mesh screen solids are carried out of the flow and pressed through a spring loaded auger press which dewateres the collected screenings while screened wastewater flows on through the unit.

As the screen rotates, a patented air-blower system forces the retained screenings off the mesh into the hopper, virtually eliminating solids carry-over. Additionally, a patented hot water wash periodically removes any grease or other solids that may adhere to the mesh.

The AFS is compact, completely covered and easily maintained. Screening, dewatering and odor containment are integrated parts of the machine.

Applications:

- Primary Wastewater Treatment
- Membrane Pretreatment
- Fishing Industry
- Food / Dairy Industry
- Pulp and Paper Industry
- Manure Dewatering



Advantages of AFS:

- **Superior Performance**- Removal of 40-70% TSS and 30% BOD.
- **Self-Cleaning Operation** - Patented cleaning system.
- **Cost-Effective** - Small footprint, low capital cost, low maintenance.
- **Screenings Dewatering** - 35-50% solids in dewatered screenings.
- **Effective Environmental Solution** - Compact and efficient solution reduces the impact on the environment.

Learn More

To learn more about our **Automated Filtration System** or any of our other wastewater solutions, please visit our web site at www.lightenvironmental.com or call our Corporate Sales Office at: 1-816-537-9190.

We look forward to providing your next wastewater solution.

LIGHT ENVIRONMENTAL, INC.

27404 E. OUTERBELT ROAD GREENWOOD, MISSOURI 64034 (816) 537-9190 FAX (816) 537-9113 WWW.LIGHTENVIRONMENTAL.COM
KANSAS CITY LOS ANGELES BEIJING HO CHI MINH CITY